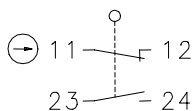


Series D

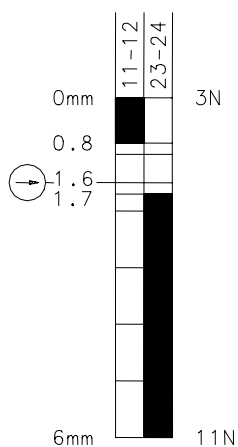
Description **D-U1Z C74 O.BET.**


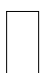
Article number **6041100983**

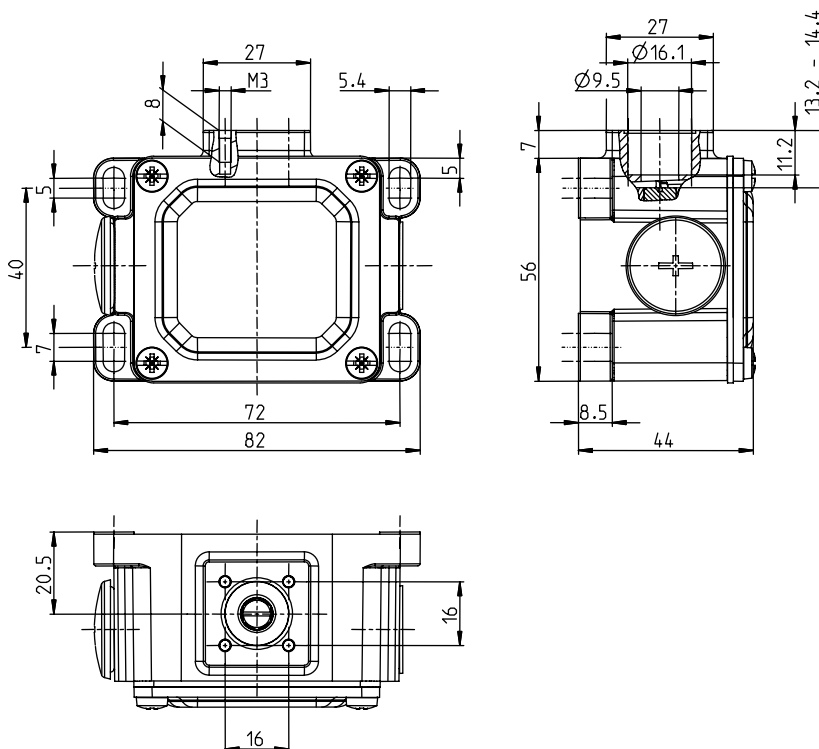
Operating symbol




Operating diagram





 Tolerances
 Operating point: $\pm 0,25\text{mm}$;
 Actuating force: $\pm 10\%$



Electrical data

Rated insulation voltage	U_i	400 VAC
Conv. thermal current	I_{the}	10 A
Rated operational voltage	U_e	240 V
Utilization category		AC-15, U_e/I_e 240 V / 3 A
Direct opening action		acc. IEC/EN 60947-5-1, annex K
Short-circuit protective device		Fuse 10 A gL/gG
Protection class		I

This document will not become the contractual basis; the details included herein do not constitute any descriptions of expected conditions, so that warranties/claims for defects on account of possible variations of the actual qualities from the qualities described herein are explicitly excluded. All rights reserved. Specifications subject to change without notice!

Date of issue: 06.08.2007 / Page 1 of 2
 Document: 6041100983_en.doc / Last update: 1 / 2542-07

Mechanical data	
Enclosure	Die-cast aluminium
Cover	Sheet aluminium
Actuator	without
Ambient air temperature	-30 °C ... +80 °C
Contact type	1 N.C. 1 N.O. (Zb)
Mechanical life	10 x 10 ⁶ operating cycles
Switching frequency	≤ 100 / min.
Assembly	4 x M5
Connection	4 screw terminals (M4)
Conductor cross-sections	Solid: 0,5 ... 1,5 mm ² Litz wire with ferrules: 0,5 ... 1,5 mm ²
Cable entrance	2 x M20x1,5
Weight	≈ 0,227 kg
Installation position	Operator definable
Protection type	IP20 acc. to EN 60529; DIN VDE 0470 T1
Standards	
	VDE 0660 T100, DIN EN 60947-1, IEC 60947-1 VDE 0660 T200, DIN EN 60947-5-1, IEC 60947-5-1
EU Conformity	
	CE

Notes

The Protection Class IP65 can be achieved with an adequate actuator.